

Affordable SIP Phone for clear communications

The SIP-T41P is a feature-rich sip phone for business. The 6-Line IP Phone has been designed by pursuing ease of use in even the tiniest details. Delivering a superb sound quality as well as rich visual experience. With programmable Keys, the IP Phone supports vast productivity-enhancing features. Using standard encryption protocols to perform highly secure remote provisioning and software upgrades.



Optima
HD Voice



Paperless

Key Features and Benefits

Revolutionarily new design

Yealink's SIP Phones continue to evolve, the T4 Series have been designed by pursuing ease of use in even the tiniest details, these new design include paper label free design, new foot stand allows two positions for the device, non-slip rubber feet, ergonomic recessed buttons, etc.

HD Audio

Yealink Optima HD Voice refers to the combination of software and hardware design as well as the implementation of wideband technology to maximizes the acoustic performance. Coupled with advanced acoustic clarity technology such as full duplex, echo cancellation, Adaptive jitter buffer, etc., it creates an amazing face-to-face live experience.

Enhanced Call Management

The SIP-T41P supports vast productivity-enhancing features such as SCA, BLF List, call forward, call transfer, 3-way conference. Three pages of 6 flexible buttons shown on the display can be programmed up to 15 various features. Support Yealink YHS32. With EHS36 user can control phone through wireless headset.

Efficient Installation and Provisioning

Integrated IEEE 802.3af Power-over-Ethernet allows easy deployment with centralized powering and backup. The SIP-T41P supports the FTP, TFTP, HTTP, and HTTPS protocols for file provisioning and are configured by default to use Trivial File Transfer Protocol (TFTP), supports AES encrypted XML configuration file.

Highly secure transport and interoperability

The Communicator uses SIP over Transport Layer Security (TLS/SSL) to provide service providers the latest technology for enhanced network security. The range is certified compatible with 3CX and BroadSoft Broadworks, ensuring excellent compatibility with leading soft switch suppliers.

- > Revolutionarily new design
- > Yealink Optima HD voice
- > 2.7" 192x64-pixel graphical LCD with backlight
- > Up to 6 SIP accounts
- > Paper label free design
- > PoE support
- > Headset, EHS support
- > Integrated stand with 2 adjustable angles
- > Wall mountable
- > Simple, flexible and secure provisioning options

Audio Features

- > HD voice: HD handset, HD speaker
- > Wideband codec: G.722
- > Narrowband codec: G.711(A/μ), G.723.1, G.729AB, G.726, iLBC
- > DTMF: In-band, Out-of-band(RFC 2833) and SIP INFO
- > Full-duplex hands-free speakerphone with AEC
- > VAD, CNG, AEC, PLC, AJB, AGC

Phone Features

- > 6 VoIP accounts
- > One-touch speed dial, redial
- > Call forward, call waiting, call transfer, call hold
- > Call return, group listening
- > Mute, auto answer, DND
- > 3-way conference call
- > Direct IP call without SIP proxy
- > Ring tone selection/import/delete
- > Hotline, emergency call
- > Set date time manually or automatically
- > Dial Plan
- > XML Browser, Action URL/URI
- > RTCP-XR (RFC3611), VQ-RTCPXR (RFC6035)
- > Enhanced DSS Key

Directory

- > Local phonebook up to 1000 entries
- > Black list
- > XML/LDAP remote phonebook
- > Intelligent search method
- > Phonebook search/import/export
- > Call history: dialed/received/missed/forwarded

IP-PBX Features

- > Busy Lamp Field (BLF)
- > Bridged Line Appearance(BLA)
- > Anonymous call, anonymous call rejection
- > Hot-desking, voice mail
- > Message Waiting Indicator (MWI)
- > Call park, call pickup
- > Intercom, paging, music on hold
- > Call recording
- > Flexible seating
- > Executive and Assistant
- > Centralized call recording
- > Visual Voice Mail

Display and Indicator

- > 2.7" 192x64-pixel graphical LCD with backlight
- > LED for call and message waiting indication
- > Dual-color (red or green) illuminated LEDs for line status information
- > Intuitive user interface with icons and soft keys
- > Multilingual user interface
- > Caller ID with name and number
- > Power saving

Feature keys

- > 6 line keys with LED
- > 6 line keys can be programmed up to 15 various features (3-page view)
- > 5 features keys: message, headset, mute, redial, hands-free speakerphone
- > 4 context-sensitive "soft" keys
- > 6 navigation keys
- > 2 volume control keys
- > Illuminated mute key
- > Illuminated headset key
- > Illuminated hands-free speakerphone key

Interface

- > 2 x RJ45 10/100M Ethernet ports
- > 1 x RJ9 (4P4C) handset port
- > 1 x RJ9 (4P4C) headset port
- > 1 x RJ12 (6P6C) EHS port
- > Power over Ethernet (IEEE 802.3af), Class 2

Other Physical Features

- > Stand with 2 adjustable angles
- > Wall mountable
- > External Yealink AC adapter (optional): AC 100~240V input and DC 5V/1.2A output
- > Power consumption (PSU): 1.1-2.3W
- > Power consumption (PoE): 1.7-3.2W
- > Dimension(W*D*H*T): 212mm*189mm*175mm*54mm
- > Operating humidity: 10~95%
- > Operating temperature: -10~50°C

Management

- > Configuration: browser/phone/auto-provision
- > Auto provision via FTP/TFTP/HTTP/HTTPS for mass deploy
- > Auto-provision with PnP

- > BroadSoft device management
- > Zero-sp-touch TR-069
- > Phone lock for personal privacy protection
- > Reset to factory, reboot
- > Package tracing export, system log

Network and Security

- > SIP v1 (RFC2543), v2 (RFC3261)
- > Call server redundancy supported
- > NAT traversal: STUN mode
- > Proxy mode and peer-to-peer SIP link mode
- > IP assignment: static/DHCP
- > HTTP/HTTPS web server
- > Time and date synchronization using SNTP
- > UDP/TCP/DNS-SRV(RFC 3263)
- > QoS: 802.1p/Q tagging (VLAN), Layer 3 ToS DSCP
- > SRTP for voice
- > Transport Layer Security (TLS)
- > HTTPS certificate manager
- > AES encryption for configuration file
- > Digest authentication using MD5/MD5-sess
- > OpenVPN, IEEE802.1X
- > IPv6
- > LLDP/CDP/DHCP VLAN
- > ICE

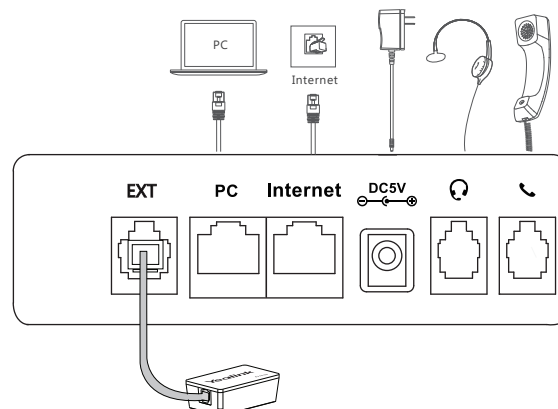
Package Features

- > Package content:
 - Yealink SIP-T41P IP phone
 - Handset with handset cord
 - Ethernet Cable (2m CAT5E UTP Cable)
 - Stand
 - Quick Start Guide
 - Power Adapter (Optional)
 - Wall Mount Bracket (Optional)
- > Qty/CTN: 5 PCS
- > N.W/CTN: 6.3kg
- > G.W/CTN: 7.0kg
- > Giftbox size: 246mm*223mm*120mm
- > Carton Meas: 620mm*256mm*233mm

Compliance



Asterisk®
Compatible



[Learn More](#)

To find out how Yealink solutions can help your organization, visit us at www.yealink.com or mail to sales@yealink.com